

PLEASE CHECK WWW.MOLEX.COM FOR LATEST PART INFORMATION

Part Number: [0987801019](#)
Status: **Active**
Description: 2.54mm (.100") Pitch, Male Header, PA 4.6, 6 Circuits, Dual Row, Black

Documents:

[Drawing \(PDF\)](#) [RoHS Certificate of Compliance \(PDF\)](#)

General

Product Family	Crimp Housings
Series	98780
Product Name	N/A

Physical

Circuits (maximum)	6
Gender	Female
Glow-Wire Compliant	No
Lock to Mating Part	Yes
Number of Rows	2
Packaging Type	Bag
Panel Mount	No
Pitch - Mating Interface (in)	0.100 In
Pitch - Mating Interface (mm)	2.54 mm
Pitch - Term. Interface (in)	0.100 In
Pitch - Term. Interface (mm)	2.54 mm
Polarized to Mating Part	Yes
Ports	1
Stackable	No
Temperature Range - Operating	-40°C to +80°C

Solder Process Data

Duration at Max. Process Temperature (seconds)	40
Lead-free Process Capability	SMC & Wave Capable (TH only)
Max. Cycles at Max. Process Temperature	1
Process Temperature max. C	245

Material Info

Old Part Number	18831EV6F11
-----------------	-------------

Reference - Drawing Numbers

Sales Drawing	SD-98787-001
---------------	--------------

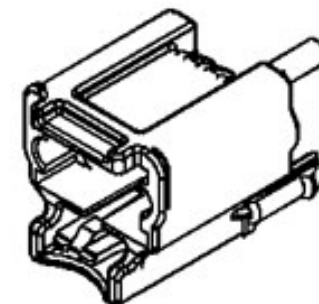


image - Reference only

Series

EU RoHS

**ELV and RoHS
Compliant**
REACH SVHC
 Not Reviewed
Halogen-Free
Status
Not Reviewed

China RoHS



**Need more information on product
environmental compliance?**

Email productcompliance@molex.com
 For a multiple part number RoHS Certificate of
 Compliance, [click here](#)

Please visit the [Contact Us](#) section for any
 non-product compliance questions.

Search Parts in this Series

[98780Series](#)

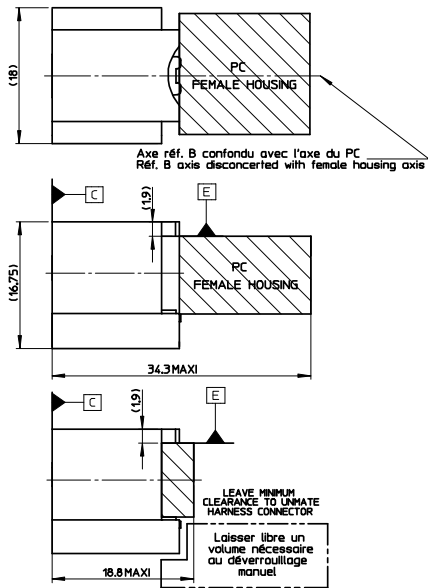
Mates With

[987861011 MOX Receptacle Housing](#)

PLEASE CHECK WWW.MOLEX.COM FOR LATEST PART INFORMATION

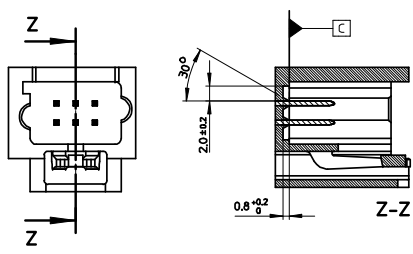
OVERALL DIMENSIONS

ENCOUBREMENT



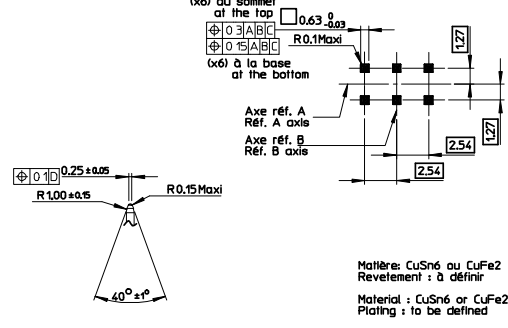
VARIANT PINS LOCATION

VARIANTE IMPLANTATION LANGUETTES

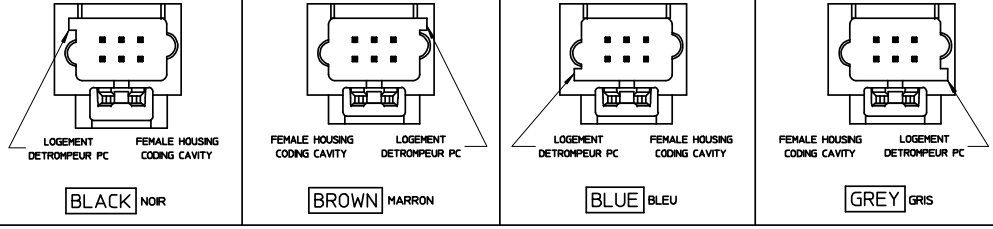


PINS POSITION

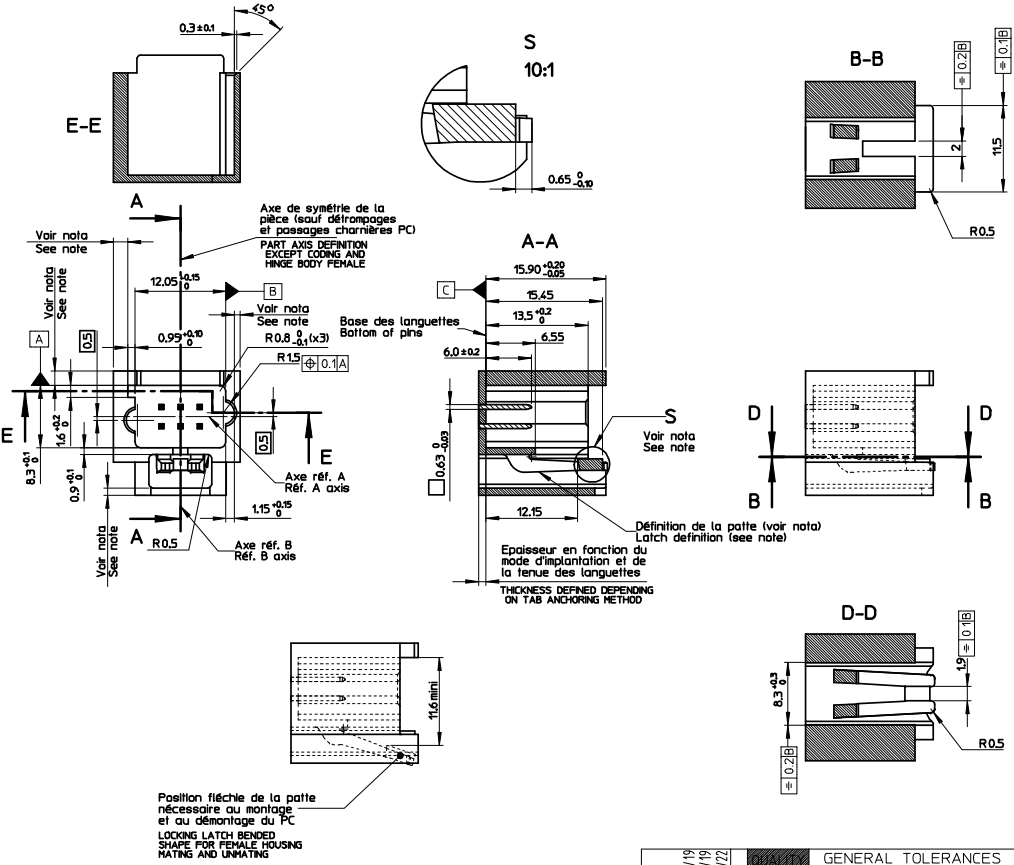
POSITION DES LANGUETTES



CODINGS / DETROMPAGES



BLACK CODING SHOWN
DETROMPAGE NOIR REPRESENTE



NOTA :
1 - COTATION ET GEOMETRIE A DEFINIR EN FONCTION DE LA MATIERE (VOIR PLANCHE 2)

NOTE :
1 - DIMENSIONS AND GEOMETRY TO BE DEFINED ACCORDING MATERIAL (SEE SHEET 2)

MODIFICATIONS

REV.	DESCRIPTIONS	NAME	DATE
A	X-RELEASED	PBO	07/03/15
B	SQUARE PINS: 0.63 0/-0.03 WAS 0.63 0/-0.30.	PGR	07/06/01
B1	SEE SHEET 2/2	VG	08/06/20

REVIEW NOTE EC NO: GZ008-0509 DRAWN BY: DRWNINGIERIN CHKD: JLDUCCLOS APPR: LSTICKEIR 2008/08/19 2008/08/19 2008/08/22	QUALITY SYMBOLS 	GENERAL TOLERANCES (UNLESS SPECIFIED) mm INCH		DIMENSION STYLE MM ONLY	SCALE 3:1	DESIGN UNITS METRIC	FIRST ANGLE PROJECTION		
		4 PLACES ± --- ± --- 3 PLACES ± --- ± --- 2 PLACES ± --- ± --- 1 PLACE ± 0.1 ± ---	ANGULAR ± 1°	DRAWN BY PBOSSQUAIN	DATE 2007/03/15	TITLE 6 CKT INTERFACE FEMALE HOUSING			
		DRAFT WHERE APPLICABLE MUST REMAIN WITHIN DIMENSIONS		APPROVED BY LSTICKEIR	DATE 2007/03/15	MATERIAL NO. N/A			
		B1		THIS DRAWING CONTAINS INFORMATION THAT IS PROPRIETARY TO MOLEX INCORPORATED AND SHOULD NOT BE USED WITHOUT WRITTEN PERMISSION		DOCUMENT NO. SD-98787-001		SHEET NO. 1 OF 2	

